

Project Contact

Blossom Scott-Heim, P.E.
County Project Engineer
(209) 533-5633
2 S. Green Street
Sonora, CA 95370
bscott-heim@co.tuolumne.ca.us

Algerine-Wards Ferry Road crossing Blanket Creek Bridge Replacement Project, Bridge No. 32C0042

Project No. 1571
Federal Project No. BRLO-5932(064)

Description

The proposed project is to replace the existing bridge with a one span, reinforced concrete slab bridge on the same alignment. The bridge is designated as 32C0042.

Purpose and Need

The purpose of this project is to provide the public a safe way of travel on the bridge located on Algerine-Wards Ferry crossing Blanket Creek. The bridge was built in 1936 and consists of one span, steel and reinforced concrete girders on concrete abutments. This bridge is eligible for replacement due to the weakening of the reinforced concrete girders and efflorescence in the girder and abutments. The bridge also has a scour of 3 and is on the County's Plan of Action (POA) for scour critical bridges to be replaced.

Strategic Plan Goals

Remove bridge from the Eligible Bridge List (EBL) within California Department of Transportation (Caltrans), Structure Maintenance and Investigations Division.

Funding Sources

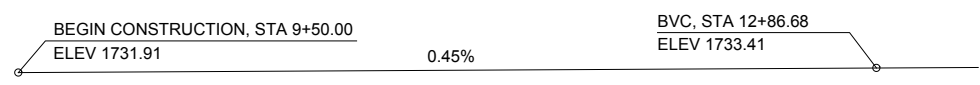
Federal Highway Administration (FHWA), Highway Bridge Program (HBP) and California Toll Credits - 100% funded

Total Project Cost: \$2,282,420

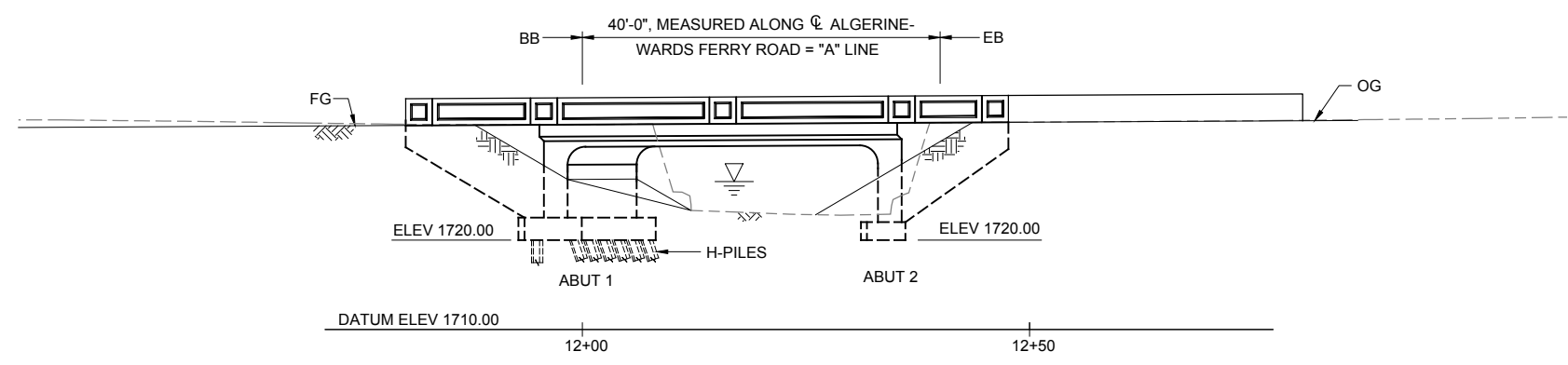
Current Phase

This project is currently in the right of way phase. Staff and their consultants are preparing final design for the bridge.

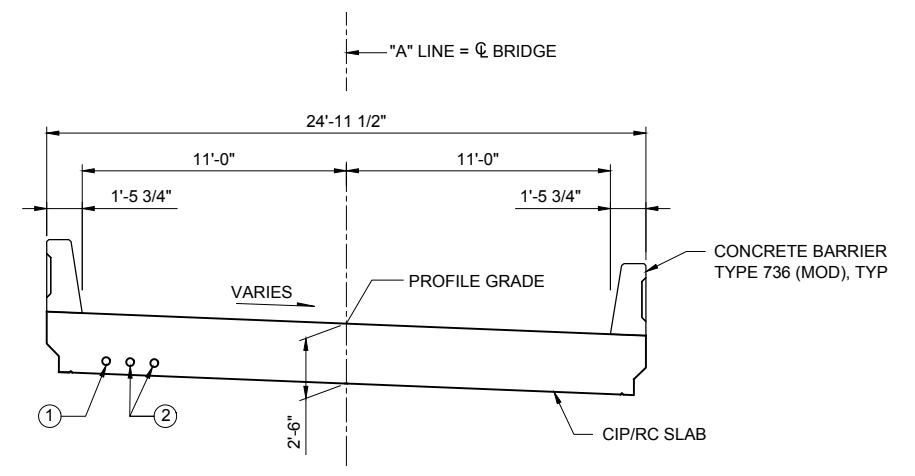
Anticipated Year of Construction: April 2019



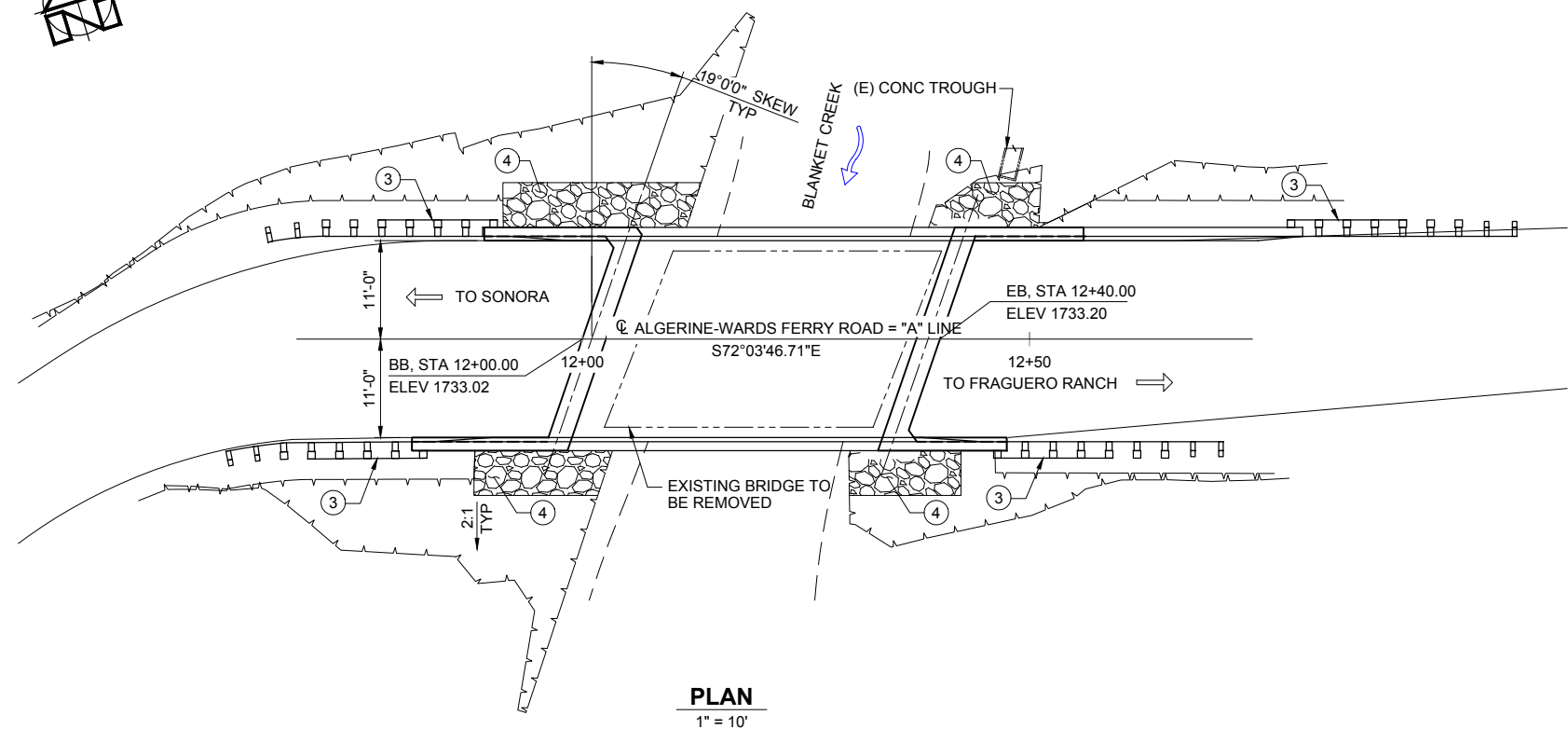
PROFILE GRADE
NO SCALE



ELEVATION
1" = 10'



TYPICAL SECTION
1/4" = 1'-0"



PLAN
1" = 10'

LEGEND

- INDICATES NEW CONSTRUCTION
- - - INDICATES EXIST CONSTRUCTION
- INDICATES DIRECTION OF TRAVEL
- ↘ INDICATES DIRECTION OF FLOW
- ▽ FOR HYDROLOGIC SUMMARY, SEE "FOUNDATION PLAN" SHEET.

NOTES

- ① 4" UTILITY OPENING (AT&T)
- ② 4" FUTURE UTILITY OPENINGS
- ③ TRANSITION RAILING, SEE "LAYOUT" SHEET
- ④ ROCK SLOPE PROTECTION, 1/4 TON (METHOD B). SEE "ROCK SLOPE PROTECTION" SHEET

Drawing Name: P:\487 Algerine Wards Ferry Bridge\07 CAD\Structural\CADD_Structural\1-OP.dwg
Last Opened: Sep 28, 2017 - 9:33am by Peter

MGE ENGINEERING, INC.
7415 GREENHAVEN DRIVE SUITE 100
SACRAMENTO, CALIFORNIA 95831
(916) 421-1000



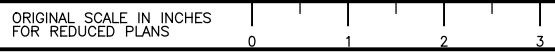
| | | |
|---------------------------|----------------------|---------|
| DESIGN | BY <i>W. Sennett</i> | CHECKED |
| DETAILS | BY <i>P. Zhao</i> | CHECKED |
| QUANTITIES | BY <i>W. Sennett</i> | CHECKED |
| PLANS APPROVAL DATE _____ | | |

PREPARED FOR THE
COUNTY OF TUOLUMNE
COMMUNITY RESOURCES AGENCY

Wesley M. Sennett
PROJECT ENGINEER

| | |
|------------|---------|
| BRIDGE NO. | 32C0042 |
| POST MILE | N/A |

BLANKET CREEK BRIDGE REPLACEMENT
GENERAL PLAN



CU
EA

DISREGARD PRINTS BEARING EARLIER REVISION DATES

| REVISION DATES (PRELIMINARY STAGE ONLY) | | SHEET | OF |
|---|-------|-------|----|
| 04/20/17 | 06/17 | 14 | 27 |